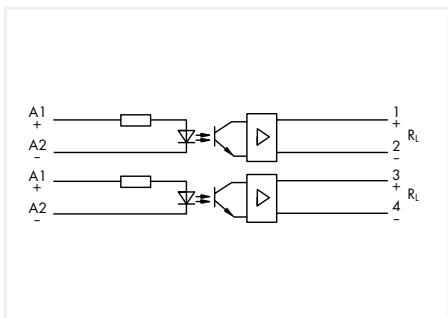
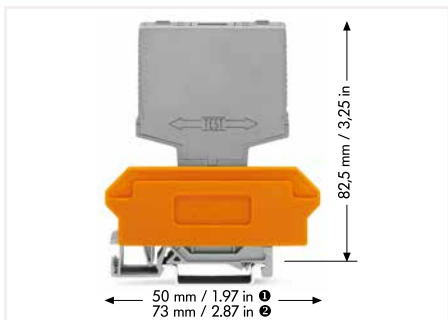


# Dual-Channel Optocoupler Module 286 Series



Dual-Channel Optocoupler Module; Output voltage range: 20 ... 30 VDC; Limiting continuous current: 0.25 A; Frequency: 1.5 kHz; 20 mm wide

$U_N$	$I_N$	Item No.	Pack. Unit
24 VDC	15 mA	286-792	1



### Control Circuit

Input voltage range (high level) 7.5 ... 30 VDC

### Load Circuit

Circuit type 2-channel; 2-wire connection  
 Limiting continuous current 0.25 A  
 Output Voltage Range 20 ... 30 VDC  
 Voltage drop (output) max.  $\leq 2.5$  VDC  
 Leakage current at rated voltage  $\leq 2.6$   $\mu$ A  
 Turn-on time  $\leq 60$   $\mu$ s  
 Turn-off time  $\leq 120$   $\mu$ s  
 Switching frequency  $\leq 1.5$  kHz

### Safety and Protection

Pollution degree 3  
 Dielectric strength, control/load circuit (AC, 1 min) 2.5 kV<sub>rms</sub>  
 Protection type IP20

### Physical Data

Width 20 mm / 0.787 inch  
 Height from upper-edge of DIN-rail 82.5 mm / 3.25 inch  
 Depth 52 mm / 1.654 inch

### Mechanical Data

Mounting type Pluggable relay module for terminal block for pluggable modules

### Material Data

Weight 23.4 g

### Environmental Requirements

Surrounding air temperature (operation at  $U_N$ ) -25 ... +40 °C  
 Surrounding air temperature (storage) -25 ... +40 °C  
 Processing temperature -25 ... +50 °C

### Standards and Specifications

Standards/specifications EN 60664-1

### Accessories



Terminal block for pluggable modules; 8-pole; with 2-conductor terminal blocks; with orange separator; for 35 x 15 mm and 35 x 7.5 mm DIN-rails; 2.5 mm<sup>2</sup>

Item No.	Pack. Unit
280-638	20



Terminal block for pluggable modules; 16-pole; with 4-conductor terminal blocks; with orange separator; for 35 x 15 mm and 35 x 7.5 mm DIN-rails; 2.5 mm<sup>2</sup>

Item No.	Pack. Unit
280-628	20



Terminal block for pluggable modules; 16-pole; with 4-conductor terminal blocks; with marker carrier; with orange separator; for 35 x 15 mm and 35 x 7.5 mm DIN-rails; 2.5 mm<sup>2</sup>

Item No.	Pack. Unit
280-764	20